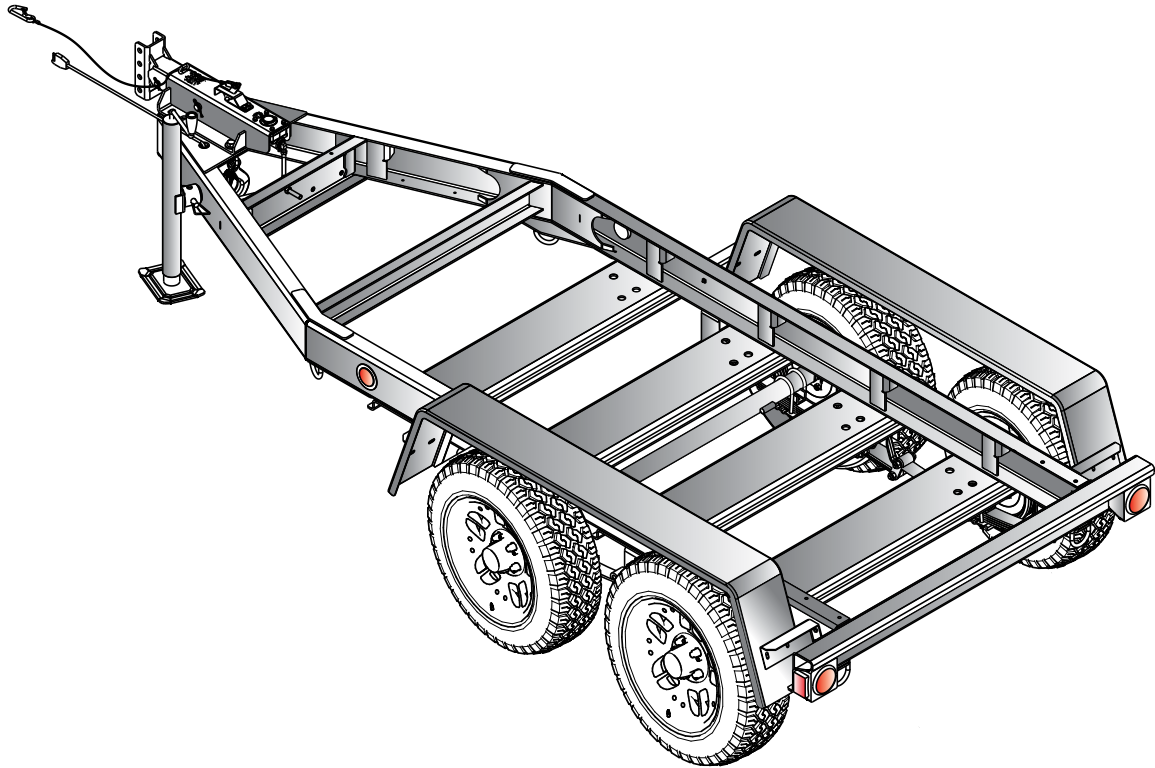




**TRLR45**  
**MQ POWER Tandem Axle Trailer**

UnitedGenerator.com  
 sales@unitedgenerator.com  
 707-332-0703 call or text to order



<b>TRLR45 Technical Data</b>	
Gross Vehicle Weight Rating (GVWR) — 7,000 lbs (3,175 kg)	Tire Size — ST205/75R14 LR-C
Gross Axle Weight Rating (GAWR) — 3,500 lbs (1,588 kg)	Wheel Bolt Pattern — 5 Lug
Actuator Rating — 8,000 lbs (3,629 kg)	Tire Load Rating — 1,760 lbs /657 kg (ea.)
Coupler Rating — See coupler options on back page.	Dimensions (LxWxH) — See back page.

**STANDARD TRAILER EQUIPMENT**

- Fits MQ Power Generator Models DCA36SPXU4F, DCA40SSKU4F2, DCA45SSIU4F, DCA45USI3CAN
- Straight Tandem-Axle Design with Leaf Spring Suspension
- Heavy-Duty Welded Steel Frame Construction
- Formed Channel for Generator Mounting and Support
- Replaceable, Bolt-on Hydraulic Brake Actuator
- 4-Hole Channel Allows 3-position, Adjustable Coupler Height; 4-inches O/A
- Tongue Mounted Swivel Jack with Flat Disc-foot (rated 5,000 lbs/2,268 kg lift)
- Replaceable, Bolt-on Steel Fender Brackets and Fenders
- Rugged Textured Black Powder-Coated Frame, Channel, Actuator and Fenders
- D.O.T. Approved Tail Lamps, Stop Lamps, Turn Signal Lamps, Side Marker Lamps
- Weatherproof, Rubber Armored, 2-piece Trailer Light Wiring Harness
- Surge Hydraulic-actuated Drum Brakes (all axles)
- Hydraulic Uni-Servo Drum Brakes with Free-backing Plates - 10-inch Cluster
- D.O.T. Steel Brake Lines, Brass Tees and Rubber Hydraulic Brake Hoses




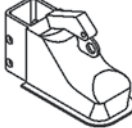
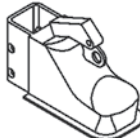
# TRLR45

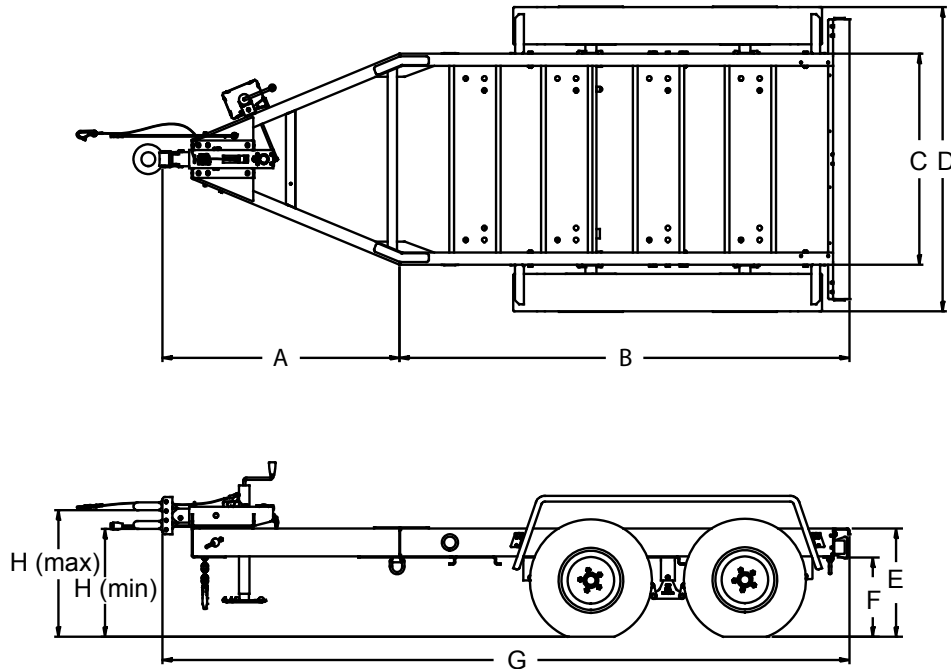
## MQ POWER Tandem Axle Trailer

### OPTIONAL TRAILER EQUIPMENT

- Bolt-on Electric Brake Coupler Plate with Electric-actuated Drum Brakes (all axles — self-adjusting brake actuators)
- Electric Breakaway Safety Device (electric-actuated brakes)
- Rear Stabilizer Stands
- Tongue Mounted Utility Storage Box
- Spare Tire with Locking Mount
- Anti-Theft Wheel Lock
- Center Mount Jack (rated 8,000 lbs./3,629 kg lift)
- 600V Transformer Kit

### Coupler Options

3" Pintle Eye 25,000 lbs.  #EE36264	
2" Ball Coupler 10,000 lbs.  #EE43254	
2-5/16" Ball Coupler 14,000 lbs.  #EE43253	



Trailer Dimensions								
A	B	C	D	E	F	G	H	
							MIN	MAX
50.84 in (1,291.3 mm)	96.49 in (2,450.8 mm)	45.25 in (1,149 mm)	65.25 in (1,657 mm)	23.2 in (590 mm)	16.98 in (431.3 mm)	147.33 in (3,742.2 mm)	23.1 in (587.7 mm)	27.1 in (689.3 mm)

Trailer Weight
1,056 lbs. (479 kg)*

\* Weight is approximate

